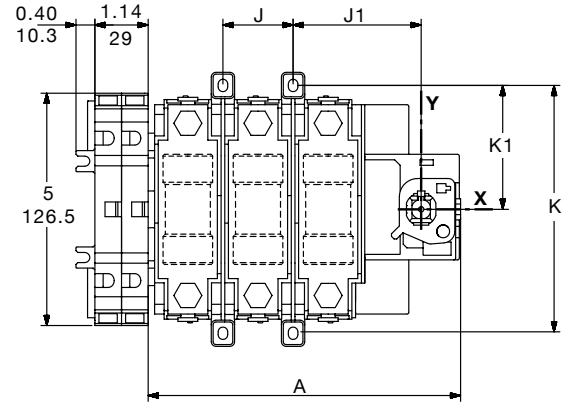
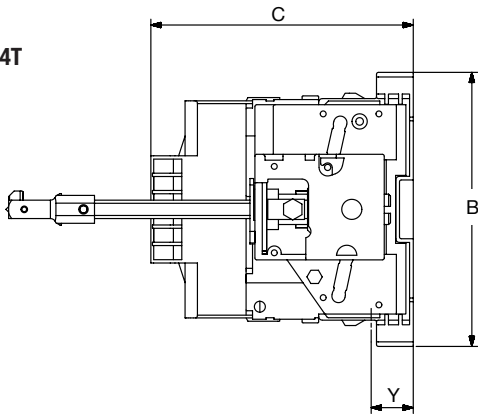


FUSERBLOC FRONT OPERATED FUSIBLE DISCONNECT SWITCHES

DIMENSIONS (dual dimensions: in/mm)

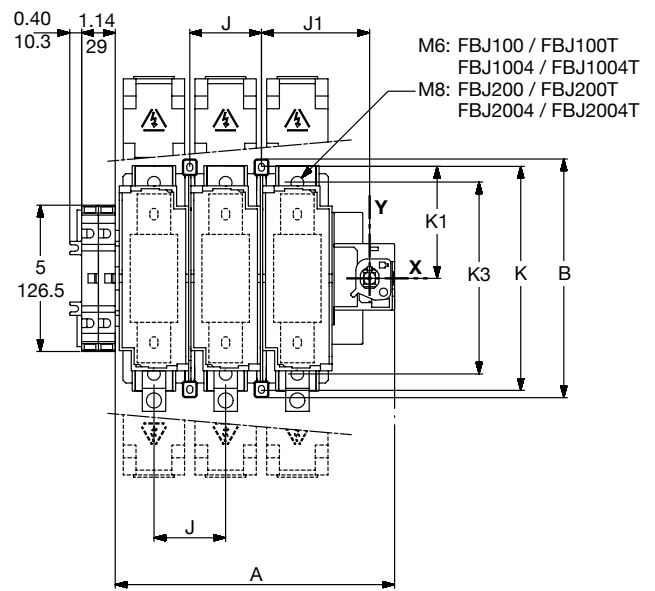
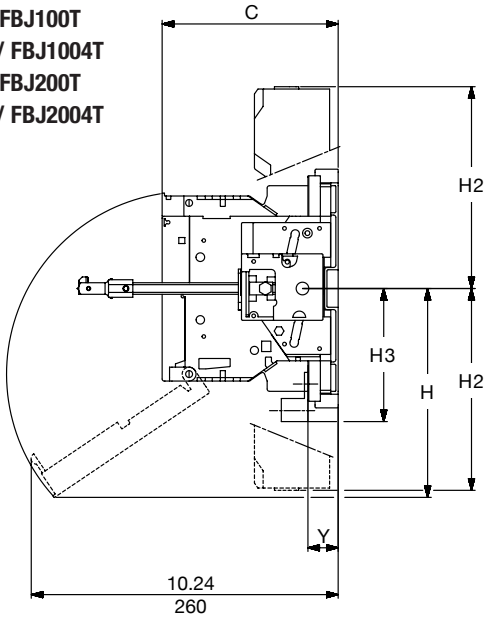
FUSERBLOC 30A CC - 30A J - 60A J

- FBCC30 / FBCC30T
- FBCC304 / FBCC304T
- FBJ30 / FBJ30T
- FBJ304 / FBJ304T
- FBJ60 / FBJ60T
- FBJ604 / FBJ604T



FUSERBLOC 100A J - 200A J

- FBJ100 / FBJ100T
- FBJ1004 / FBJ1004T
- FBJ200 / FBJ200T
- FBJ2004 / FBJ2004T



RATING	NUMBER OF POLES	A		B		C		H		H2		H3		J		J1		K		K1		K3		Y	
		In	mm	In	mm	In	mm	In	mm	In	mm	In	mm	In	mm	In	mm	In	mm	In	mm	In	mm	In	mm
30A CC	3 P	5.63	143	5.87	149	3.89	99	—	—	—	—	—	—	1.14	29	2.38	60.5	5.31	135	2.63	66.5	—	—	1.21	31
	4 P	6.77	172																						
30A J	3 P	6.72	171	5.87	149	5.62	143	—	—	—	—	—	—	1.5	38	2.75	69.5	5.31	135	2.63	66.5	—	—	0.95	24.5
	4 P	8.23	209																						
60A J	3 P	6.72	171	5.87	149	5.62	143	—	—	—	—	—	—	1.5	38	2.75	69.5	5.31	135	2.63	66.5	—	—	0.95	24.5
	4 P	8.23	209																						
100A J	3 P	8.26	210	7.19	182.5	5.63	143	4.06	103	5.27	134	3.66	93	2.05	52	3.28	83.5	6.61	168	3.28	83.5	5.55	141	1	26
	4 P	10.31	262																						
200A J	3 P	9.44	240	8.13	206.5	6	152	7.27	184.5	6.87	174.5	4.79	122	2.44	62	3.68	93.5	7.56	192	3.75	95.5	6.53	166	1.03	26
	4 P	11.89	302													4.66	118.5								